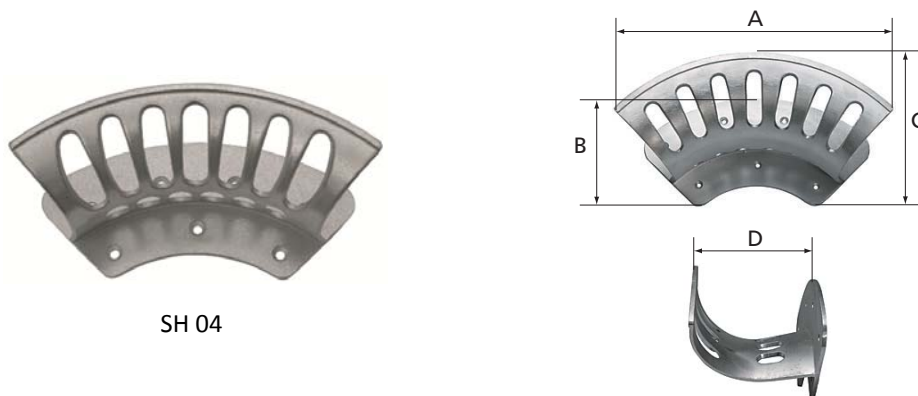


Easy mounting on the wall with variable hole pattern (7 drilled holes). Suitable for holding hoses, cables or ropes. Unpainted. Countersunk holes guarantee a smooth surface in the mounting area.

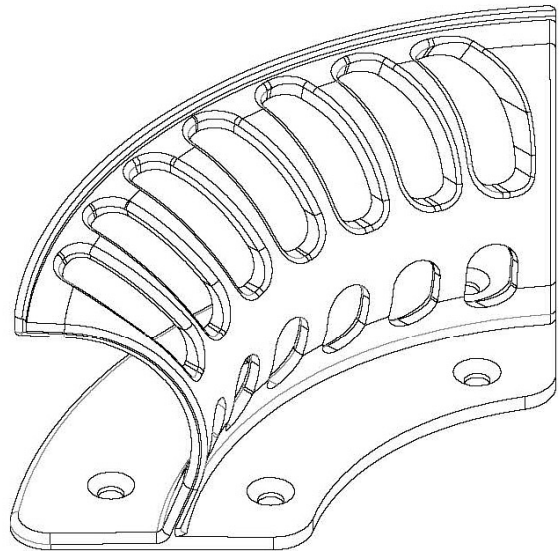
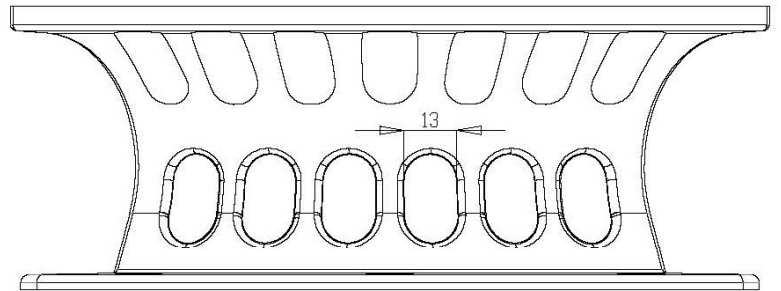
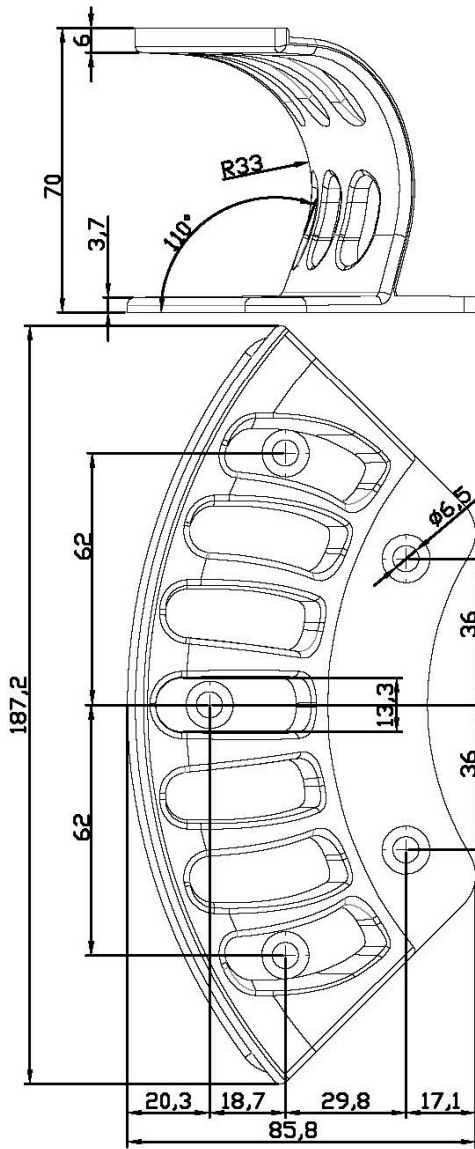
→ In combination with the rounded holder design, the fact that a small hose holder can be placed inside a large one, or a medium hose holder inside a maxi one, creates extra storage capacity without any increase in the space required.

Material Aluminium, unpainted

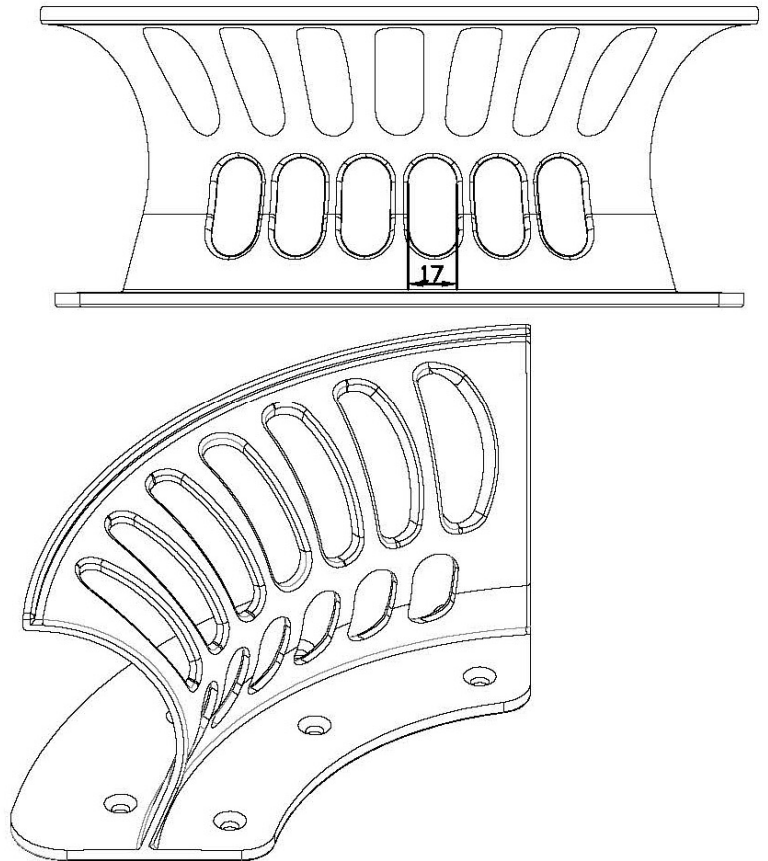
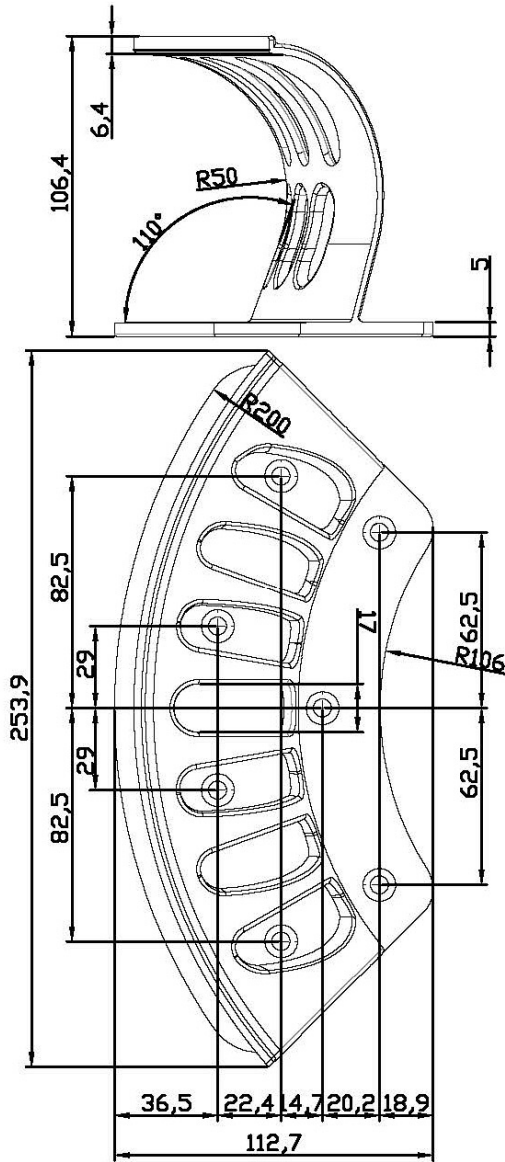


Hose holder							
Art. No.	Type No.	Size	A mm	B mm	C mm	D mm	Max. hose length
113983	SH 01	klein	187.0	86.0	82.0	70.0	For DN 6, 35 - 40 m
113984	SH 02	mittel	254.0	113.0	105.0	106.0	For DN 9, 45 - 50 m
113985	SH 03	groß	348.0	151.0	157.0	137.0	For DN 13, 45 - 50 m
113986	SH 04	maxi	389.0	180.0	174.0	188.0	For DN 26, 35 - 40 m

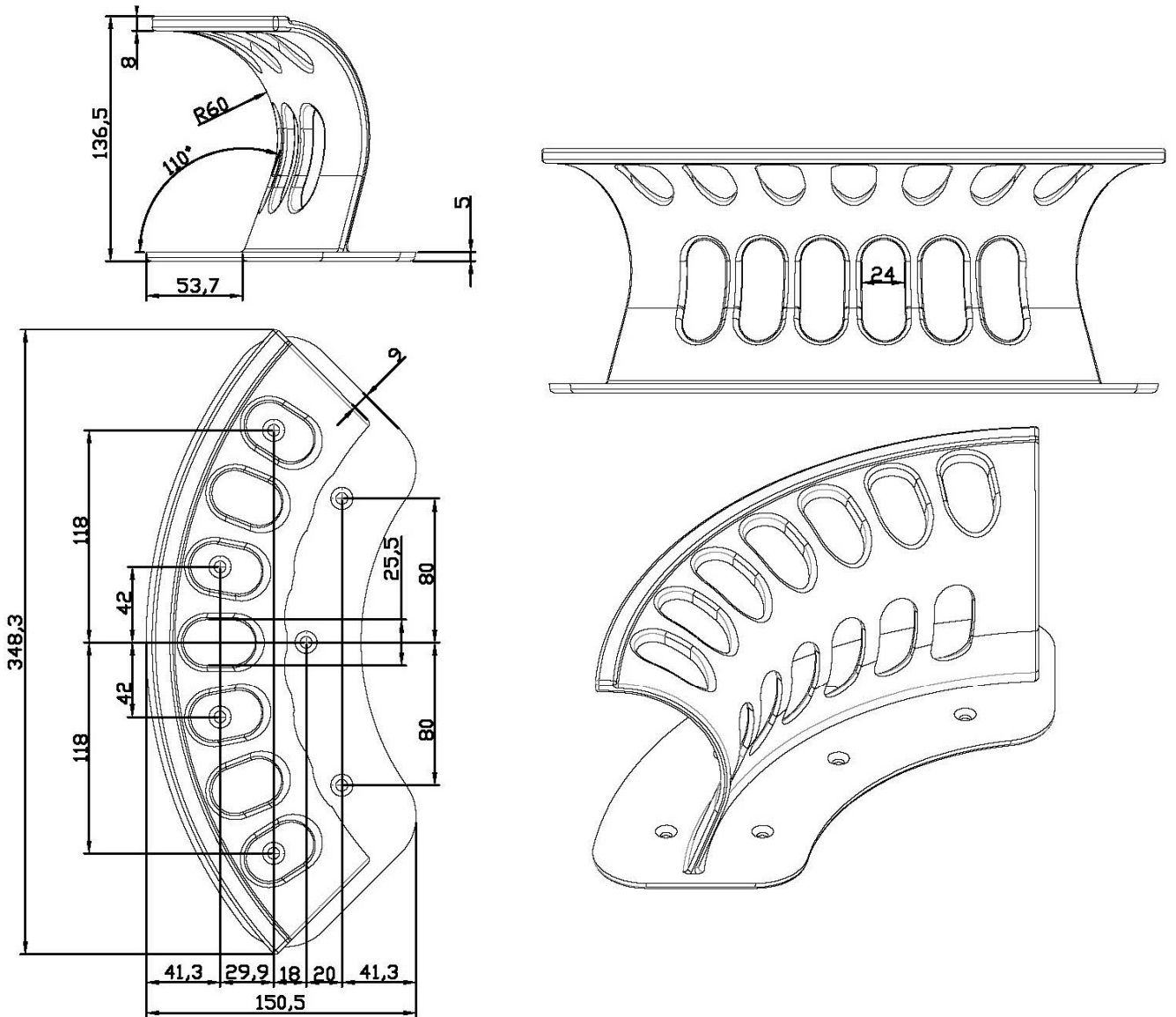
Art. No. 113983



Art. No. 113984



Art. No. 113985



Art. No. 113986

